

SHREDDERS

CHAIN IMPACTOR

SERIES WQZ 900 | WQZ 1200 | WQZ 1600

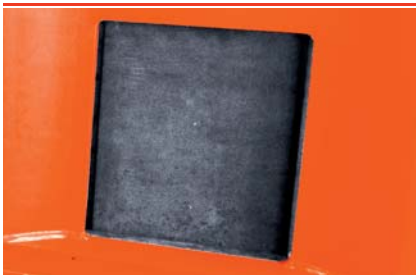
CHAINED UP.

POWERFUL AND FLEXIBLE CHAIN IMPACTOR
FOR CRUSHING DIFFERENT MATERIALS.



CHAIN

- Chain links can be changed individually
- // Low wear costs // High flexibility due to various impact plates



VARIABLE RAM PLATE

- Maintenance-friendly replacement (plastic or hardox) // Hydraulically driven ram



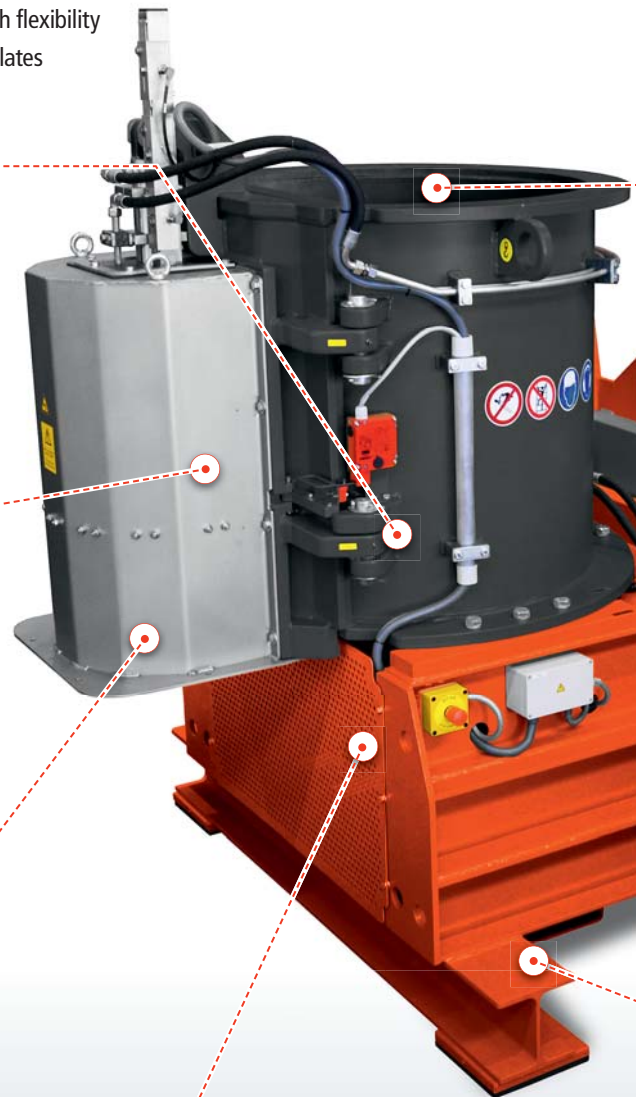
DISCHARGE

- Stainless steel housing is not sensitive to acids // With sound-absorption mat



DRIVE

- Powerful belt drive
- // Sturdy bearings



YOUR ADVANTAGES.

- ✓ Quick chain replacement in only 15 minutes
- ✓ Minimum wear costs
- ✓ Extremely short shredding time
- ✓ Almost unaffected by foreign materials
- ✓ Size reduction ratio is defined by time spent in impact tower
- ✓ Ideal for composite material or organic material
- ✓ No expensive cutting tools or screens necessary

IMPACT TOWER

→ Sturdy design // Optionally equipped with changeable wear plates (hardox)



PLC-CONTROL

→ Energy efficient shredding
// Touchpad for optimal handling



CENTRAL LUBRICATION

→ Manual and easy handling // Low maintenance // Prevents high wear



FRAME

→ Extremely sturdy design // With vibration stoppers



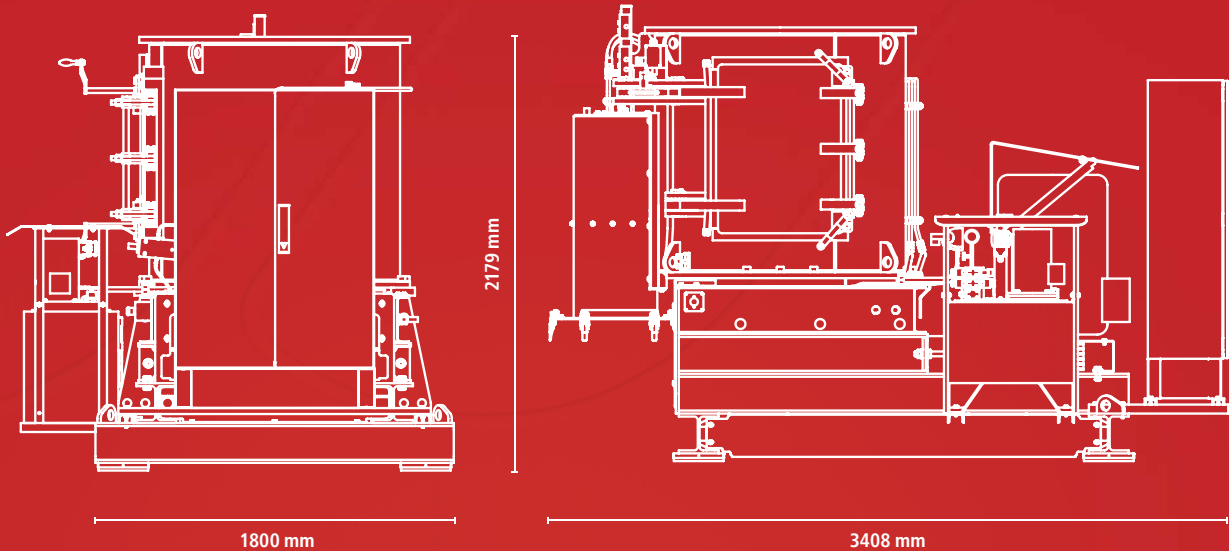


shredding + briquetting

www.weima.com



WQZ 1200



TECHNICAL SPECIFICATIONS		WQZ 900	WQZ 1200	WQZ 1600
Drive capacity	[kW]	75	90	160
Weight	[approx. kg]	4,000 – 5,000	6,000 – 8,000	15,000 – 20,000
Impact tower diameter/height	[mm]	900/920	1,180/1,220	1,580/1,580

Technical changes reserved | 11.2013 | WEM_2013_057 | www.hela.com

WEIMA Maschinenbau GmbH

Bustadt 6-10 | 74360 Ilsfeld (Germany) | Phone: +49 (0) 70 62 95 70-0 | Fax: +49 (0) 70 62 95 70-92 | info@weima.com