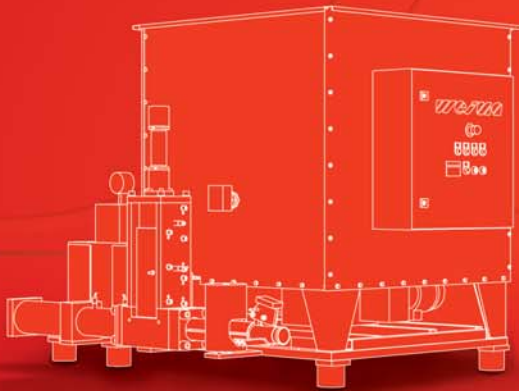




shredding + briquetting



BRIQUETTING PRESSES

C-SERIES

C 150 | C 160 | C 170



www.weima.com

TRANSFORMS YOUR WASTE INTO BRIQUETTES.



THE ESTABLISHED SERIES C 150 | C 160 | C 170
COMPACTS ALL KINDS OF MATERIAL.



HYDRAULICS WITH SEPARATED OIL TANK

- Temperature controlled hydraulic system
- // Valve control // Pump designed for long operating time



END POSITION CUSHIONED CYLINDER

- Bolted cover // Maintenance-free operation



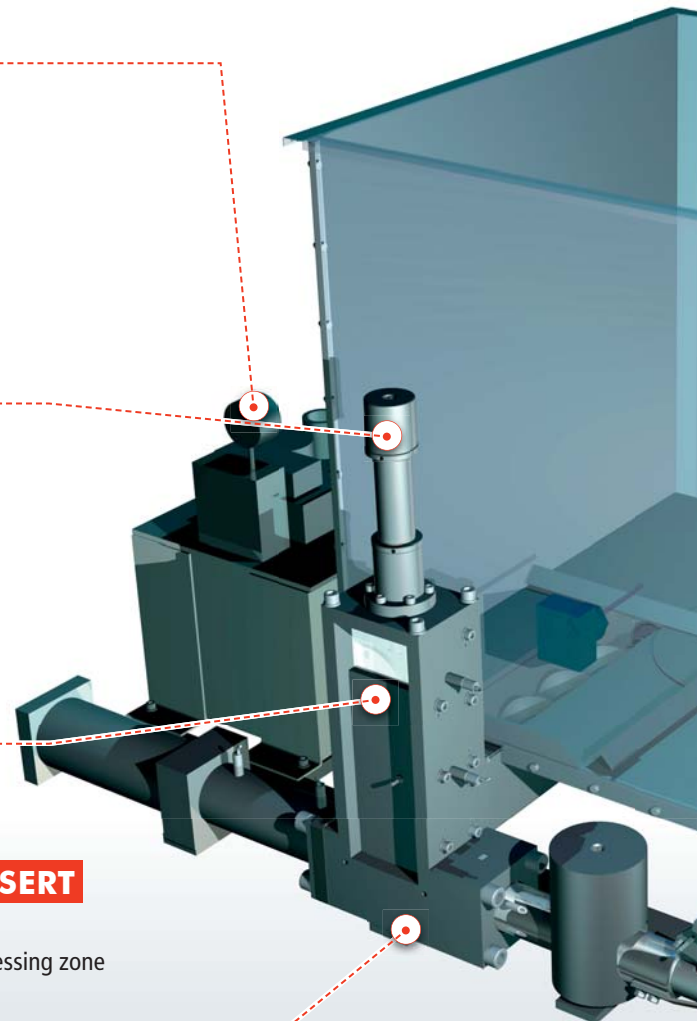
DUST COLLECTION PORT

- Closed // Dustproof



PRESSING CHAMBER INSERT

- Prevents wear in pressing zone





HOPPER

→ With agitator and screw auger



SPS CONTROL

→ Manual control for unblocking // International standard parts



STURDY BASE FRAME

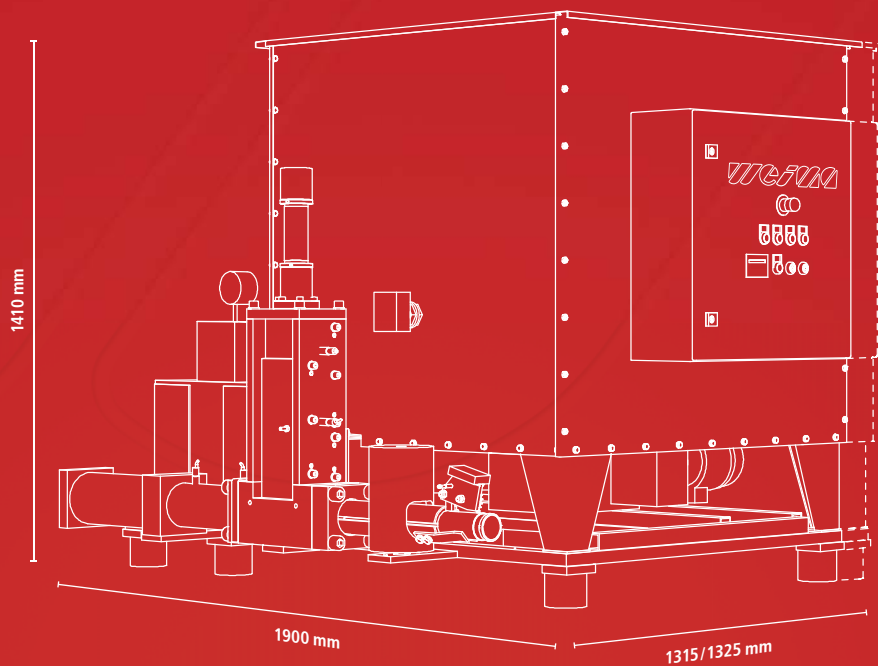
→ Extremely low weight // Solid frame
// Rubber feet



BRIQUETTE LENGTH CONTROL

→ Designed for consistent briquette sizing





TECHNICAL SPECIFICATIONS		C 150	C 160	C 170
Briquette diameter	[mm]	50	60	70
Output	[kg/h]	up to 50*	up to 60*	up to 80*
Hydraulic motor	[kW]	5,5	5,5	7,5
Hydraulic oil charge	[l]	100	100	100
Weight	[approx. kg]	800	850	900

* Output depends on the type of material. Briquettes can be made from materials such as wood, polystyrene, foam, paper or biomass (Precondition: material residual moisture ≤ 18%).

